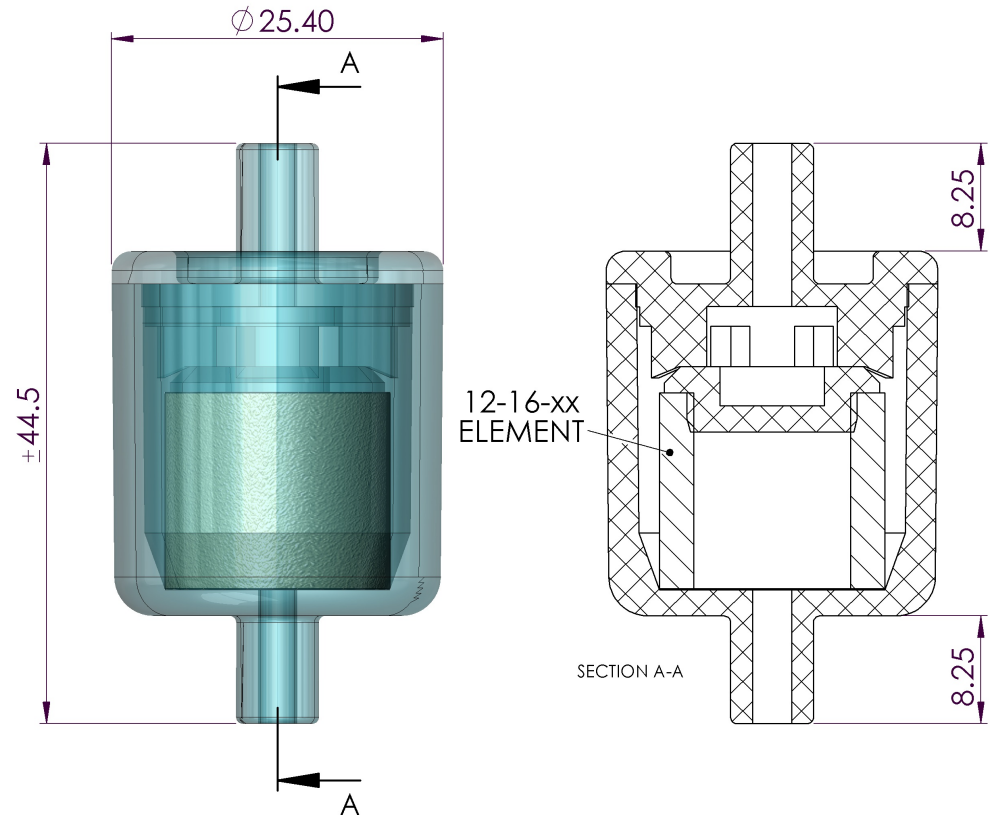



# HF Headline Filters

Part Number: DIF-MN60

Technical Specification	
<b>Description</b>	Disposable In-line Filter
<b>Materials of Construction</b>	Nylon with Borosilicate Glass filter element bonded with fluorocarbon
<b>Filtration Efficiency</b>	Better than 99.50+% removal of 0.1 micron particles
<b>Max Pressure Drop</b>	1 Bar
<b>Dimensions</b>	O.D. - 25.40 ± 1.5mm Length - 44.50 ± 0.25mm
<b>Flow Rate-</b>	Air flow Nm <sup>3</sup> /hr at 0.1 Bar pressure drop 0.1Bar 1Bar 2Bar 4Bar 7Bar 10Bar 0.7 1.3 1.95 3.2 5.0 7.0
<b>Max Temperature</b>	At 0 Bar pressure 110°C
<b>Max Pressure</b>	At 40°C 7 Bar



For further specific information please contact our Technical Department  
This is a guide only

Headline Filters Limited Mill Hall Business Estate Aylesford Kent, ME20 7JZ <a href="http://www.headlinefilters.com">www.headlinefilters.com</a> <a href="mailto:info@headlinefilters.com">info@headlinefilters.com</a>	<b>Part Number: DIF-MN60</b>		THE COPYRIGHT OF THIS DRAWING IS RESERVED BY HEADLINE FILTERS. IT IS ISSUED ON CONDITION THAT IT IS NOT COPIED, REPRODUCED OR DISCLOSED TO A THIRD PARTY EITHER WHOLLY, OR IN PART WITHOUT CONSENT IN WRITING.
	<b>Material:</b> Nylon with Borosilicate Glass filter element bonded with fluorocarbon		
<b>DO NOT SCALE DRAWING          IF IN DOUBT ASK</b>			