

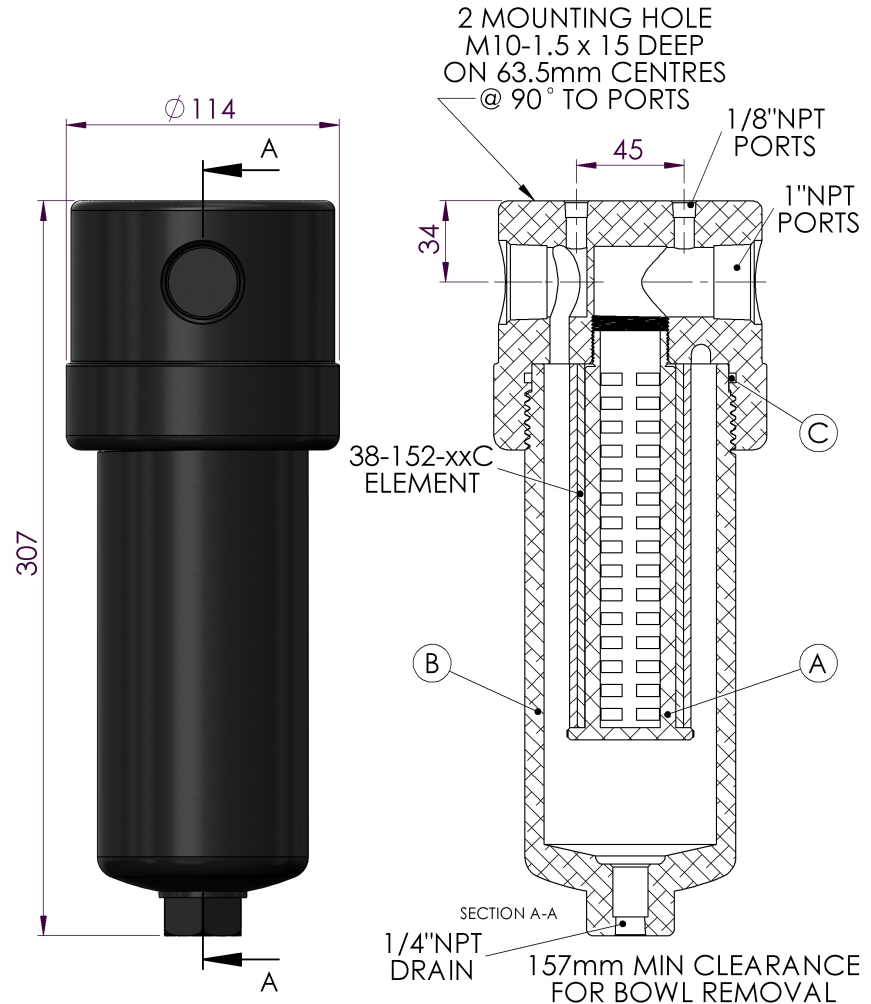
# HF HeadlineFilters

**Model: 380AHP (1"NPT)**

Replacement Parts List	
38-152-xx	Disposable Filter Element
SS-38-152-xx	Stainless Steel Filter Element
TR380	Tie Rod / Element Support (A)
AB380	Aluminum Bowl w/ O-Ring (B)
MB380	Mounting Bracket (Not Pictured)

Oxygen Cleaning Service Available  
 Note – Please replace “xx” with micron rating or grade

Available O-Rings	
GN380	Nitrile (Standard) (C)
GV380	Viton
KZ380	Kalrez™
GS380	Silicone



Headline Filters Limited Mill Hall Business Estate Aylesford Kent, ME20 7JZ www.headlinefilters.com info@headlinefilters.com	<h2>Model 380AHP</h2>		THE COPYRIGHT OF THIS DRAWING IS RESERVED BY HEADLINE FILTERS. IT IS ISSUED ON CONDITION THAT IT IS NOT COPIED, REPRODUCED OR DISCLOSED TO A THIRD PARTY EITHER WHOLLY, OR IN PART WITHOUT CONSENT IN WRITING.
	<b>Material:</b> Head: Anodized 6082-T6 Aluminum Bowl: Anodized 6082-T6 Aluminum Internals: Nylon Standard Gasket / O-ring: Nitrile	<b>Drain Type:</b> Automatic <b>Maximum Temperature:</b> 120°C <b>Maximum Pressure:</b> 70 Bar <b>Internal Volume:</b> <b>Weight:</b>	
<b>DO NOT SCALE DRAWING                  IF IN DOUBT ASK</b>	<b>Drawing No. HF4/3553</b>		