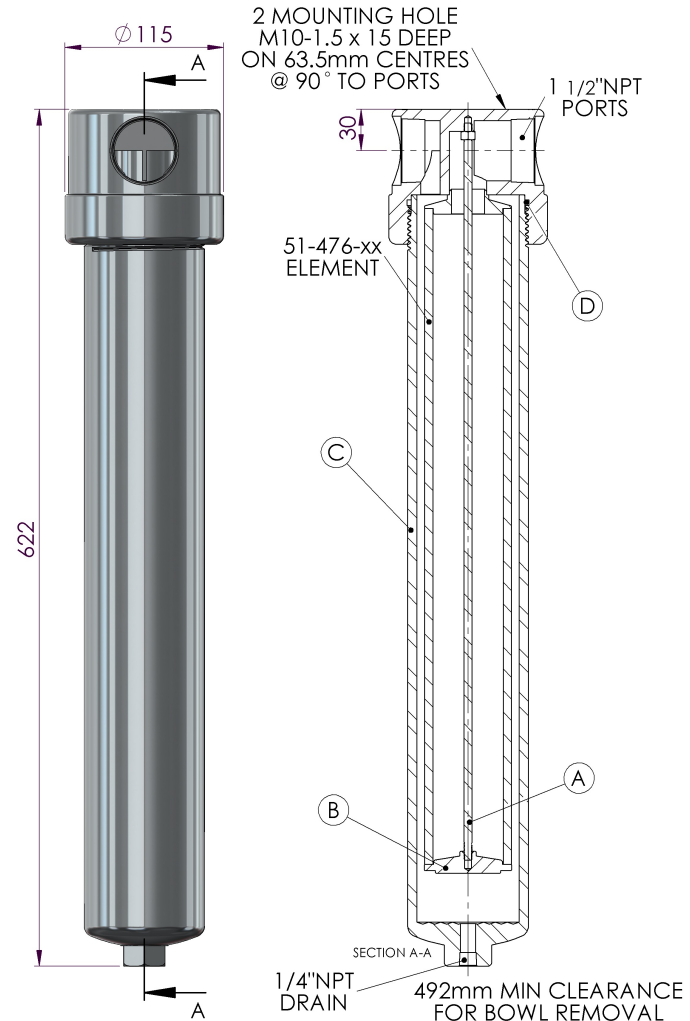


HF Headline Filters

Model: 161 (1.1/2" NPT)

Replacement Parts List	
51-476-xx	Disposable Filter Element
SS-51-476-xx	Stainless Steel Filter Element
PT-51-476-xx	PTFE Filter Element
TR160	Tie Rod (A)
ER150	Element Retainer (B)
SC160	Support Core (Not Pictured)
SSB 160	316L Stainless Steel Bowl (C)
MB150	Mounting Bracket (Not Pictured)
Oxygen Cleaning Service Available Note – Please replace "xx" with micron rating or grade	
Available O-Rings	
GN150	Nitrile
GV150	Viton (Standard) (D)
KZ150	Kalrez™
GS150	Silicone

Please Note: Exotic Materials are available, for Alloy C-276 (161H) and for Alloy 400 (161M).



Headline Filters Limited Mill Hall Business Estate Aylesford Kent, ME20 7JZ www.headlinefilters.com info@headlinefilters.com	Model 161		THE COPYRIGHT OF THIS DRAWING IS RESERVED BY HEADLINE FILTERS. IT IS ISSUED ON CONDITION THAT IT IS NOT COPIED, REPRODUCED OR DISCLOSED TO A THIRD PARTY EITHER WHOLLY, OR IN PART WITHOUT CONSENT IN WRITING.
	Material: Head: 316L Stainless Steel Bowl: 316L Stainless Steel Internals: 316L Stainless Steel Standard Gasket / O-ring: Viton	Drain Type: 1/4" NPT Maximum Temperature: 200°C Maximum Pressure: 100 Bar Internal Volume: 2700 cc Weight: 18 kg	
DO NOT SCALE DRAWING IF IN DOUBT ASK	Drawing No. HF4/4060		