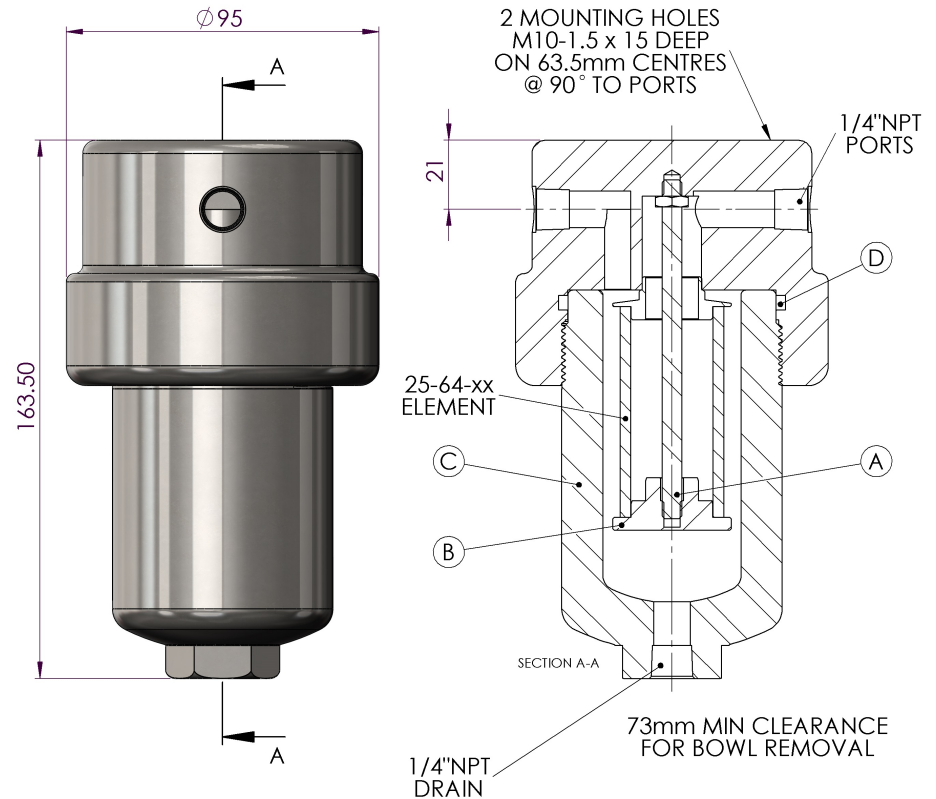


HF **HeadlineFilters**

Model: 130VP (1/4" NPT)

| Replacement Parts List | |
|---------------------------------------------------------------------------------------------|---------------------------------|
| 25-64-xx | Disposable Filter Element |
| SS-25-64-xx | Stainless Steel Filter Element |
| PT-25-64-xx | PTFE Filter Element |
| TR130 | Tie Rod (A) |
| ER130 | Element Retainer (B) |
| SC130 | Support Core (Not Pictured) |
| SSB 130VP | 316L Stainless Steel Bowl (C) |
| MB130 | Mounting Bracket (Not Pictured) |
| Oxygen Cleaning Service Available Note – Please replace “xx” with micron rating or grade | |
| Available O-Rings | |
| GN130VP | Nitrile |
| GV130VP | Viton (Standard) (D) |
| KZ130VP | Kalrez™ |
| GS130VP | Silicone |

For a Solid PTFE Gasket – Order a 130HPS



Please Note: Exotic Materials are available, for Alloy C-276 (130VPH) and for Alloy 400 (130VPM).

| | | | |
|------------------------------------------------------------------------------------------------------------------------------------------|----------------------------------------------------------------------------------------------------------------------------------------------------|----------------------------------------------------------------------------------------------------------------------------------------------------|----------------------------------------------------------------------------------------------------------------------------------------------------------------------------------------------------------------|
| Headline Filters Limited Mill Hall Business Estate Aylesford Kent, ME20 7JZ www.headlinefilters.com info@headlinefilters.com | Model 130VP | | THE COPYRIGHT OF THIS DRAWING IS RESERVED BY HEADLINE FILTERS. IT IS ISSUED ON CONDITION THAT IT IS NOT COPIED, REPRODUCED OR DISCLOSED TO A THIRD PARTY EITHER WHOLLY, OR IN PART WITHOUT CONSENT IN WRITING. |
| | Material: Head: 316L Stainless Steel Bowl: 316L Stainless Steel Internals: 316L Stainless Steel Standard Gasket / O-ring: Viton | Drain Type: 1/4" NPT Maximum Temperature: 200° C Maximum Pressure: 400 Bar Internal Volume: Weight: | |
| DO NOT SCALE DRAWING IF IN DOUBT ASK | | | |