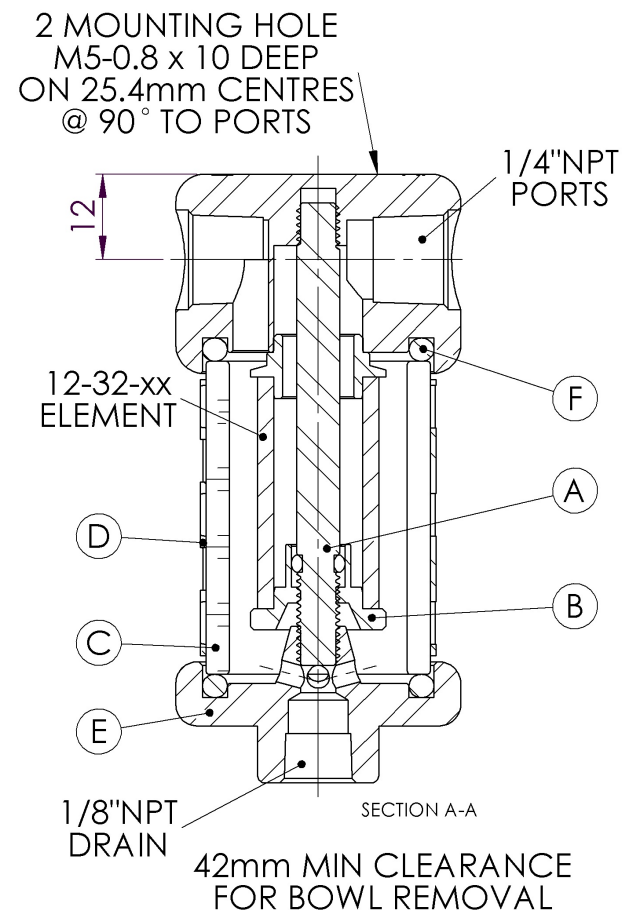


HF Headline Filters

Model: 117G (1/4" NPT)

Replacement Parts List	
12-32-xx	Disposable Filter Element
SS-12-32-xx	Stainless Steel Filter Element
PT-12-32-xx	PTFE Filter Element
TR117	Tie Rod (A)
ER117	Element Retainer (B)
SC110	Support Core (Not Pictured)
GB117	Pyrex Glass Bowl (C)
BG117	Bowl Guard (D)
BP117	Base Plate (E)
MB110	Mounting Bracket (Not Pictured)
Oxygen Cleaning Service Available Note – Please replace “xx” with micron rating or grade	
Available O-Rings	
GN117	Nitrile
GV117	Viton (Standard) (F)
KZ117	Kalrez™
GS117	Silicone



Please Note: Exotic Materials are available, for Alloy C-276 (117GH) and for Alloy 400 (117GM).

Headline Filters Limited Mill Hall Business Estate Aylesford Kent, ME20 7JZ www.headlinefilters.com info@headlinefilters.com	Model 117G		THE COPYRIGHT OF THIS DRAWING IS RESERVED BY HEADLINE FILTERS. IT IS ISSUED ON CONDITION THAT IT IS NOT COPIED, REPRODUCED OR DISCLOSED TO A THIRD PARTY EITHER WHOLLY, OR IN PART WITHOUT CONSENT IN WRITING.
	Material: Head: 316L Stainless Steel Bowl: Pyrex Internals: 316L Stainless Steel Standard Gasket / O-ring: Viton	Drain Type: 1/8" NPT Maximum Temperature: 100°C Maximum Pressure: 7 Bar Internal Volume: 29 cc Weight: 300g	
DO NOT SCALE DRAWING IF IN DOUBT ASK	Drawing No: HF4/1255		