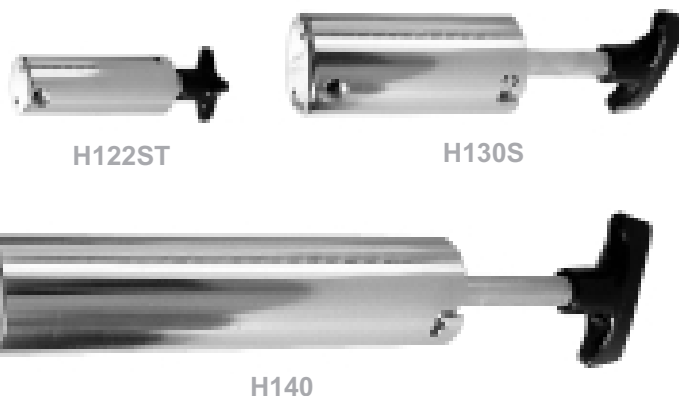
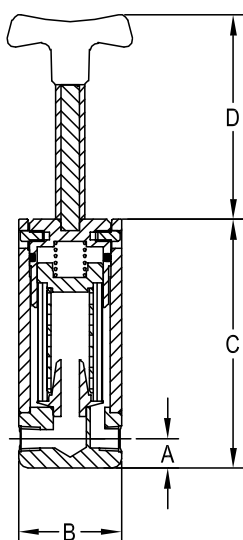


Stainless Steel Heatable Housing

316L stainless steel construction

Designed to BS5500

Change element in seconds
even at 200°C



Headline heatable housings are purpose designed for hot gas analysis, such as diesel exhaust at 200°C. The housings can be heated by any external heater, and the bayonet type head to bowl connection allows the filter element to be changed in seconds, even at operating temperature. All housings have integral support cores for positive element location and spring loaded element retainers for reliable sealing over the full temperature range.

Models H130 & H140 have inlet and outlet ports in the base allowing the entire OD of the housing to be heated. Housings with S or ST suffix have both ports in the side of the housing as in the drawing. Housings with T in the suffix have the elements sealed by conventional tie-rod and element retainer.

Principal Specifications

Housing Model	H122ST	H130	H130S	H130T	H130ST	H140	H140S	H140T	H140ST
Port Size - NPT	1/4"	1/4"	1/4"	1/4"	1/4"	1/4"	1/4"	1/4"	1/4"
Maximum Pressure - Bar	2	2	2	2	2	2	2	2	2
Maximum Temperature - °C	200	200	200	200	200	200	200	200	200
Materials of Construction (1)									
Head, Bowl & Internals	316L	316L	316L	316L	316L	316L	316L	316L	316L
Gaskets	Silicone	Silicone	Silicone	Silicone	Silicone	Silicone	Silicone	Silicone	Silicone
Principal Dimensions									
A - mm	10	-	16	-	16	-	16	-	16
B - mm	38	52.5	56	52.5	56	52.5	56	52.5	56
C - mm	120	116	135	120	135	230	249	234	249
D - mm	42	120	120	120	120	120	120	120	120
Volume - cc	55	100	100	100	100	240	240	240	240
Weight - kg	0.65	1.2	1.7	1.5	1.7	1.9	2.9	2.5	2.9
Accessories									
Standard Gasket Set	GSH120	GSH130	GSH130	GSH130	GSH130	GSH130	GSH130	GSH130	GSH130
Viton Gasket Set	GVH120	GVH130	GVH130	GVH130	GVH130	GVH130	GVH130	GVH130	GVH130
Filter Element Codes (2)									
Disposable Element (3)	12-57-xxS	25-64-xxS	25-64-xxS	25-64-xxS	25-64-xxS	25-178-xxS	25-178-xxS	25-178-xxS	25-178-xxS
Stainless Steel Element	SS-120-xx	SS-130-xx	SS-130-xx	SS-130-xx	SS-130-xx	SS-140-xx	SS-140-xx	SS-140-xx	SS-140-xx
PTFE Element	PT-120-xx	PT-130-xx	PT-130-xx	PT-130-xx	PT-130-xx	PT-140-xx	PT-140-xx	PT-140-xx	PT-140-xx

Notes

(1) Material abbreviation, 316L = 316L Stainless steel

(2) Replace 'xx' with grade required, e.g. 25-64-50C, SS-130-25, PT-140-03

(3) S-type elements only recommended for heatable housings