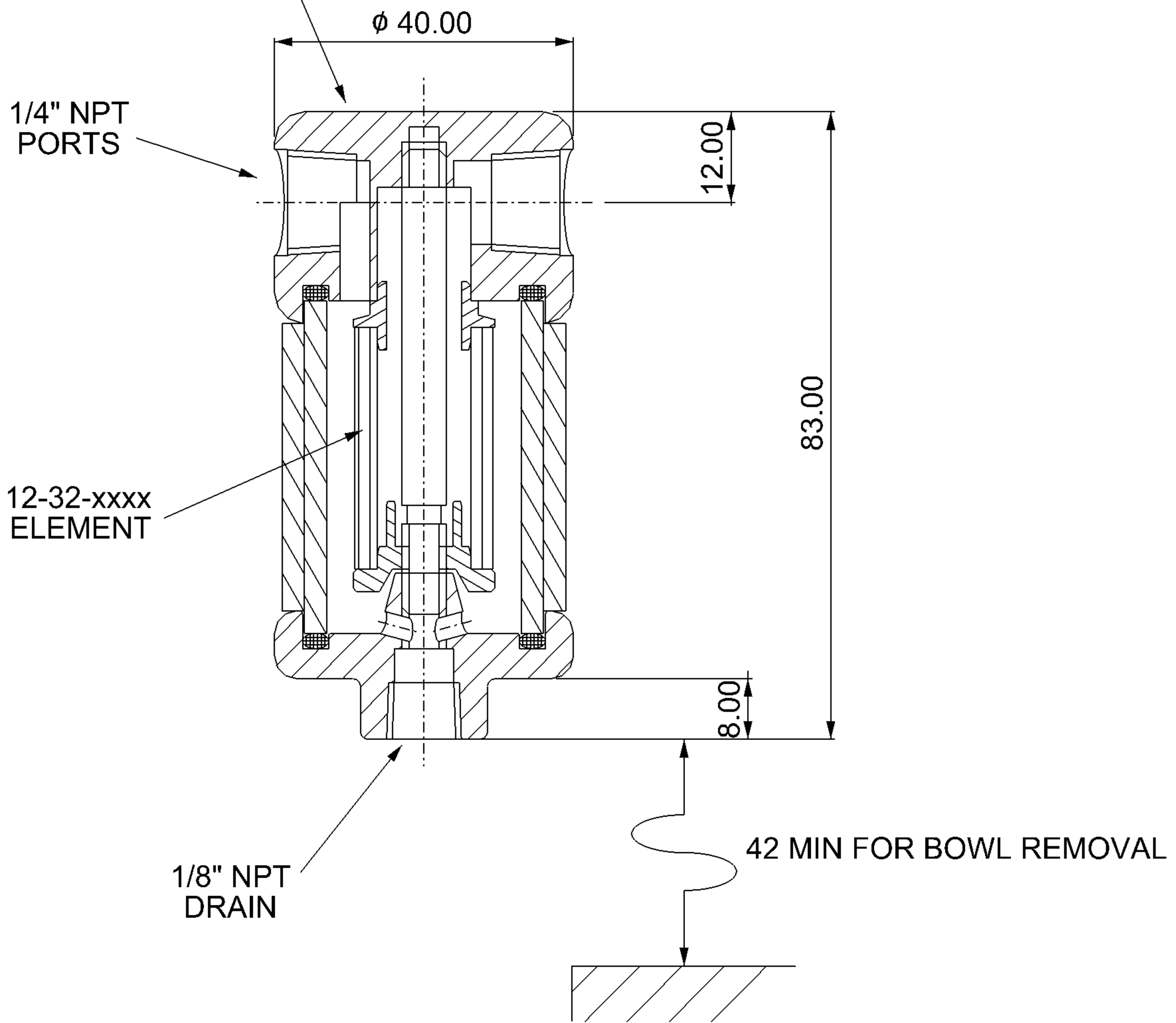


2 MOUNTING HOLES  
 M5 - 0.8 x 10 DEEP  
 ON 25.40 CENTRES  
 @ 90 Deg TO PORTS



**HEADLINE FILTERS LTD.**

HEADLINE FILTERS LTD.  
 Mill Hall Business Estate,  
 Aylesford, Maidstone,  
 Kent. ME20 7JZ.  
 Tele : (01622) 718927  
 Fax : (01622) 882448



TITLE

**117G GA**

DESIGN TEMP 100 Deg C	SURFACE FINISH 32/
DESIGN PRESS 7 bar	MAT'L SA479 316L

\* \*\*.\* \*\* \*\*.\* \*\*.\*

SCALE  
1:1

DRG No  
HF4/1255

DRAWN BY & DATE  
J.ROSE  
10.06.2009

DO NOT SCALE DRAWING

IF IN DOUBT ASK

DESIGN CODE

GENERAL TOLERANCE	X. +/- 0.25mm
	X.XX +/- 0.127mm

THE COPYRIGHT OF THIS DRAWING IS RESERVED BY HEADLINE FILTERS LTD. IT IS ISSUED ON CONDITION THAT IT IS NOT COPIED, REPRODUCED OR DISCLOSED TO A THIRD PARTY. EITHER WHOLLY OR IN PART, WITHOUT CONSENT IN WRITING FROM :- HEADLINE FILTERS LIMITED.