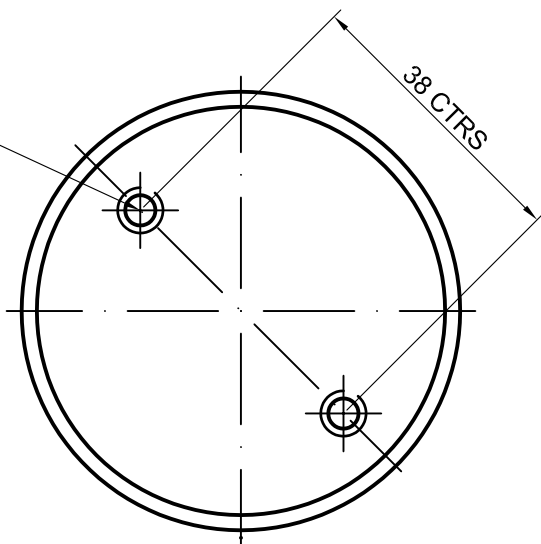


MOUNTING HOLES M6 x 10  
FULL THREAD AS SHOWN



APPROVED DRAWING	DATE OF APPROVAL					THE COPYRIGHT OF THIS DRAWING IS RESERVED BY HEADLINE FILTERS LTD. IT IS ISSUED ON CONDITION THAT IT IS NOT COPIED, REPRODUCED OR DISCLOSED TO A THIRD PARTY. EITHER WHOLLY OR IN PART, WITHOUT CONSENT IN WRITING FROM :- HEADLINE FILTERS LIMITED.
HEADLINE FILTERS LTD. Headline Filters Ltd. Mill Hall Business Estate, Aylesford, Maidstone, Kent, ME20 7JZ. Tele : (01622) 718927 Fax : (01622) 882448		TITLE <b>MODEL 129 1/4" NPT G.A.</b>		SCALE <b>Full Size</b>	DRG No <b>HF4/3011</b>	
DO NOT SCALE DRAWING IF IN DOUBT ASK		DESIGN TEMP	SURFACE FINISH $\frac{32}{\surd}$	DRAWN BY & DATE <b>Dave Austin 10th Mar '05</b>		
		DESIGN PRESS	MATL SA-479 316L			
		DESIGN CODE	GENERAL TOLERANCE X, +/- 0.25mm X.XX +/- 0.127mm			