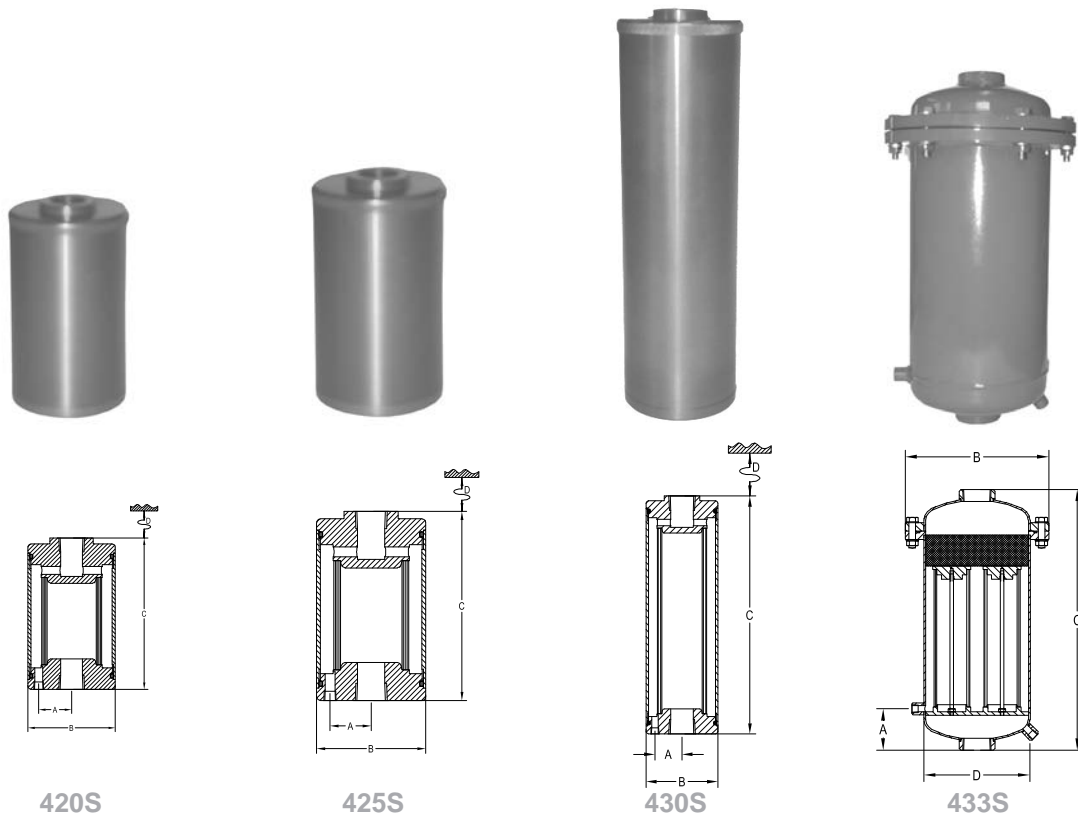


# Stainless Steel Vacuum Pump Exhaust Filters



## Principal Specifications

Housing Model	420S	425S	430S	433S
Port Size - NPT	1/2"	3/4"	1"	1 1/2"
Drain Port	1/8"	1/8"	1/8"	1/4"
Gauge Port	-	-	-	1/4"
Maximum Temperature - °C	200	200	200	200
Maximum Flow Rate - m <sup>3</sup> /hr	5	15	35	75
<b>Materials of Construction (1)</b>				
Body	SS	SS	SS	SS
Internals	-	-	-	SS
Gaskets	Viton	Viton	Viton	Viton
<b>Principal Dimensions</b>				
A - mm	22.5	33.5	33.5	72
B - mm	60	89	89	300
C - mm	102	143	278	429
D - mm	70	90	230	219
Volume - cc	170	496	1280	9500
<b>Accessories</b>				
Standard Gasket Set	GV420S	GV425S	GV425S	GV433S
Nitrile Gasket Set	GN420S	GN425S	GN425S	GN433S
<b>Filter Element Codes</b>				
Disposable Element	25-64-50CS	51-89-50CS	51-230-50CS	51-230-50CS
Number of Elements	1	1	1	3

Notes (1) Material abbreviations, AL = Aluminium, SS = 316L Stainless Steel