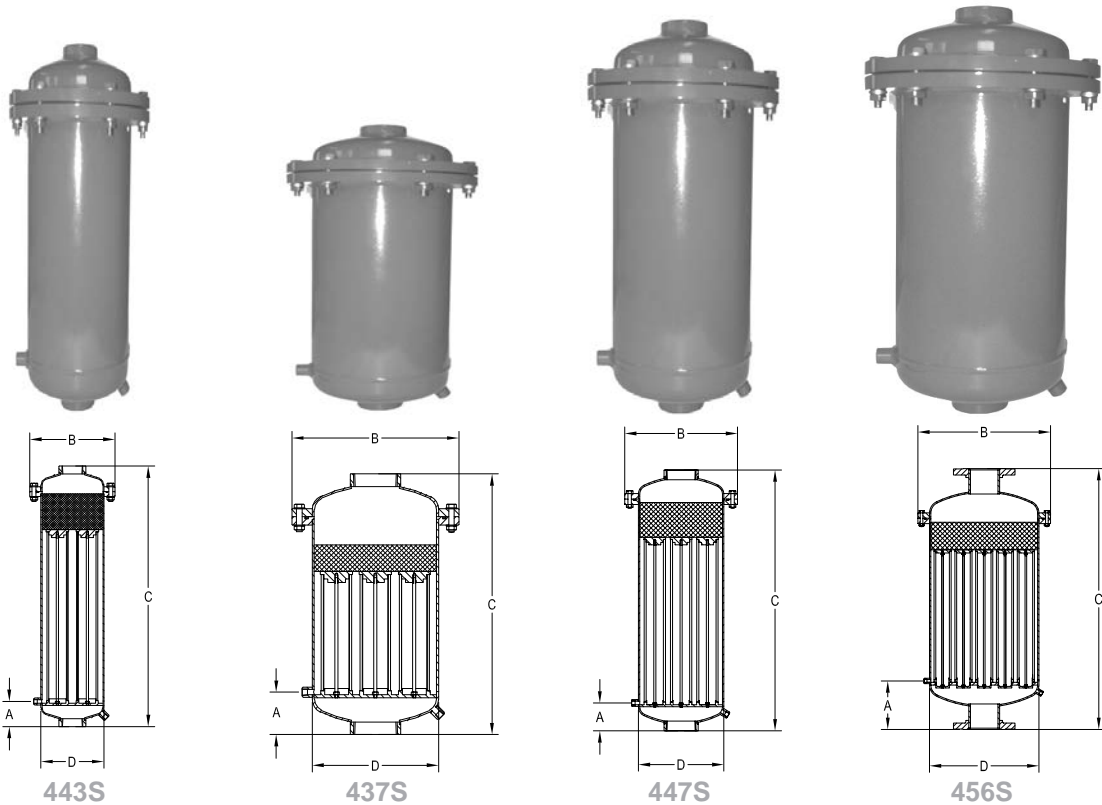


Stainless Steel Vacuum Pump Exhaust Filters



Principal Specifications

Housing Model	443S	437S	447S	456S
Port Size - NPT	2"	3"	3"	3"
Drain Port	1/4"	1/4"	1/4"	1/4"
Gauge Port	1/4"	1/4"	1/4"	1/4"
Maximum Temperature - °C	200	200	200	200
Maximum Flow Rate - m ³ /hr	150	170	340	765
Materials of Construction (1)				
Body	SS	SS	SS	SS
Internals	SS	SS	SS	SS
Gaskets	Viton	Viton	Viton	Viton
Principal Dimensions				
A - mm	72	87	87	193
B - mm	300	356	356	495
C - mm	735	510	790	1000
D - mm	219	273	273	406
Volume - cc	16000	25000	35000	65000
Accessories				
Standard Gasket Set	GV433S	GV437S	GV437S	GV456S
Nitrile Gasket Set	GN433S	GN437S	GN437S	GN456S
Filter Element Codes				
Disposable Element	51-476-50CS	51-230-50CS	51-476-50CS	51-476-50CS
Number of Elements	3	7	7	16

Notes (1) Material abbreviations, AL = Aluminium, SS = 316L Stainless Steel