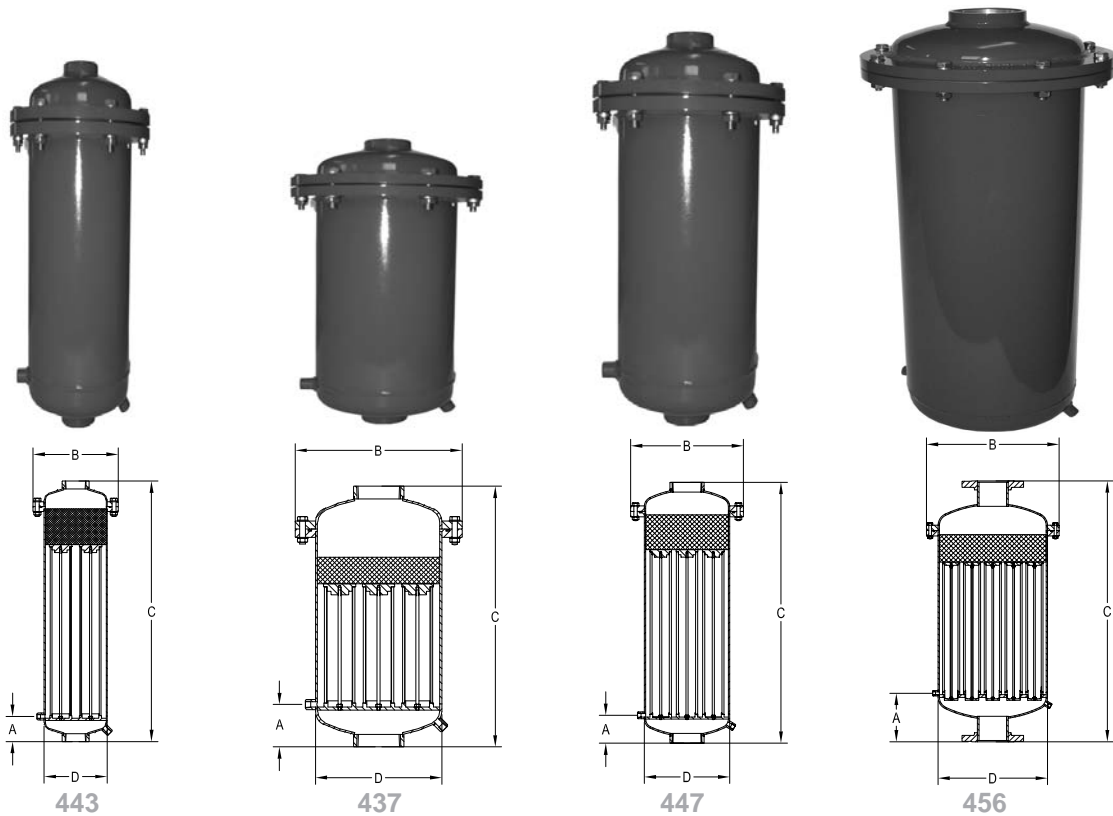


Aluminium Vacuum Pump Exhaust Filters



Principal Specifications

Housing Model	443	437	447	456
Port Size - NPT	2"	3"	3"	3"
Drain Port	1/4"	1/4"	1/4"	1/4"
Gauge Port	1/4"	1/4"	1/4"	1/4"
Maximum Temperature - °C	120	120	120	120
Maximum Flow Rate - m ³ /hr	150	170	340	765
Materials of Construction (1)				
Body	AL	AL	AL	AL
Internals	AL/SS	AL/SS	AL/SS	AL/SS
Gaskets	Nitrile	Nitrile	Nitrile	Nitrile
Principal Dimensions				
A - mm	70	85	85	114
B - mm	240	330	330	492
C - mm	735	515	776	836
D - mm	178	250	250	406
Volume - cc	16000	25000	35000	65000
Accessories				
Standard Gasket Set	GN433	GN437	GN437	GN456
Viton Gasket Set	GV433	GV437	GV437	GV456
Filter Element Codes				
Disposable Element	51-476-50CS	51-230-50CS	51-476-50CS	51-476-50CS
Number of Elements	3	7	7	16

Notes (1) Material abbreviations, AL = Aluminium, SS = 316L Stainless Steel